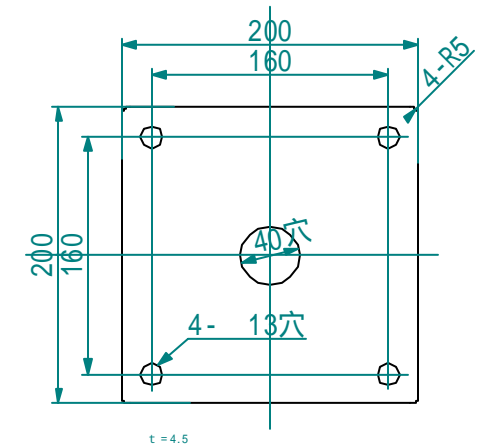
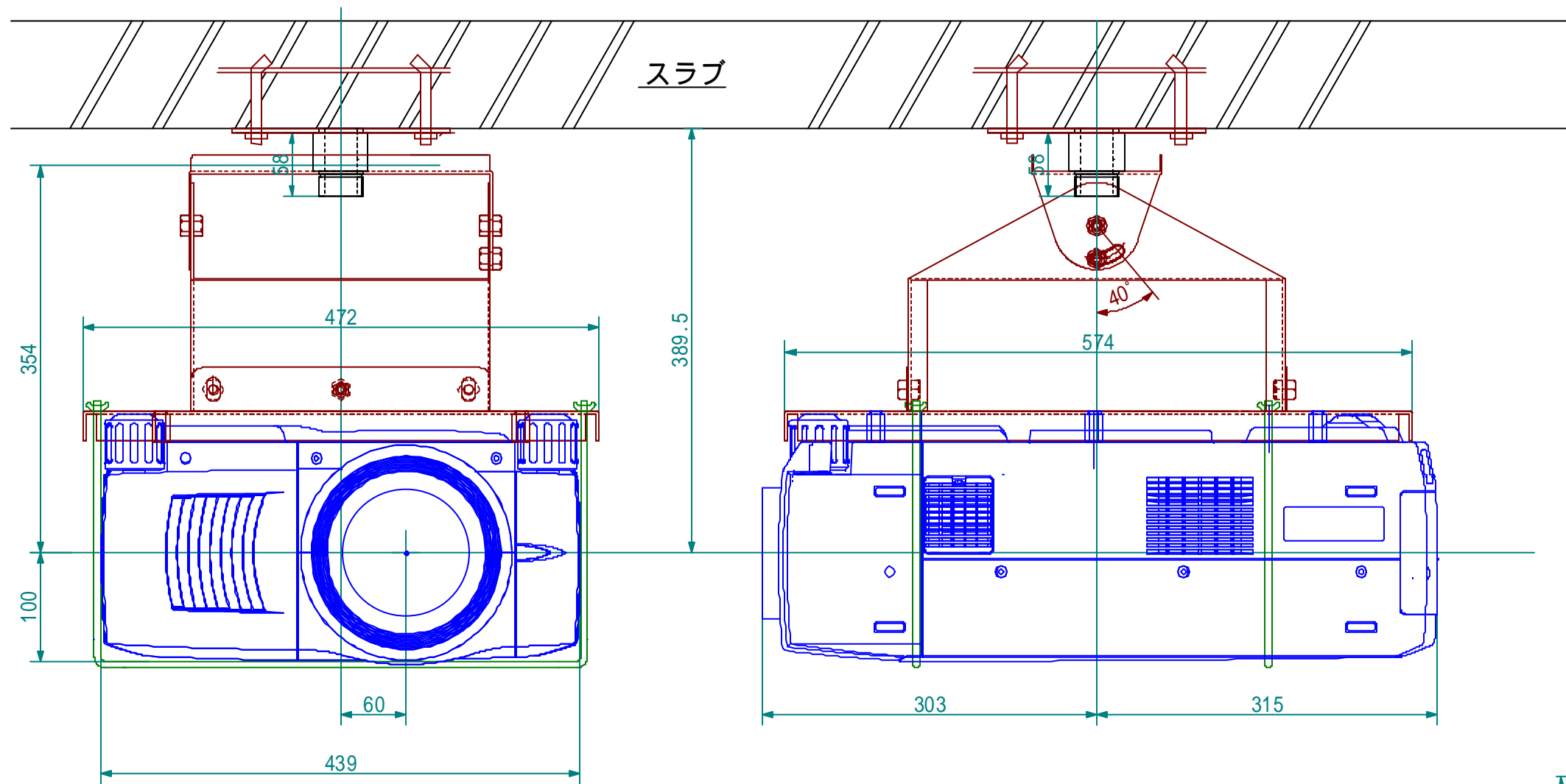


|    |     |      |    |
|----|-----|------|----|
| 符号 | 年月日 | 訂正要領 | 担当 |
|    |     |      |    |
|    |     |      |    |



|           |         |        |                           |         |                |       |                     |
|-----------|---------|--------|---------------------------|---------|----------------|-------|---------------------|
| 映機工業株式会社  |         |        | APPROVE                   | CHECKED | DESIGNED       | DRAWN | PART NAME/PART NAME |
| PLOT DATE | 03/2/11 | SCALE  | 1/5                       |         |                |       | 天吊ハンガー<br>直付け外觀図    |
| MATERIAL  | UNIT    | WEIGHT | PART CODE                 |         | DRAWING NUMBER |       |                     |
|           |         |        | CM-LC-X5DL<br>X4Li/SX4DLi |         | AX-47751       |       |                     |