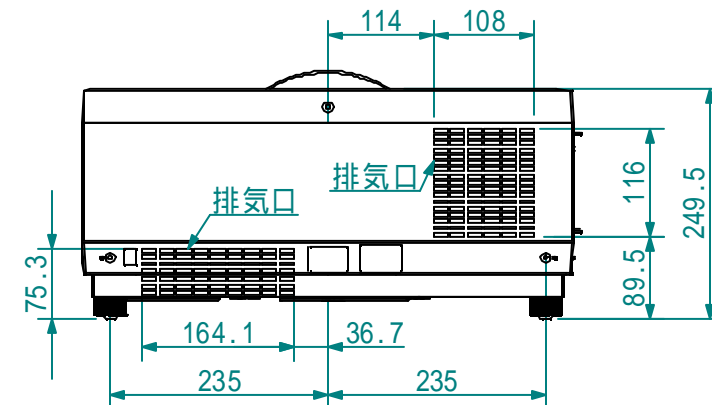
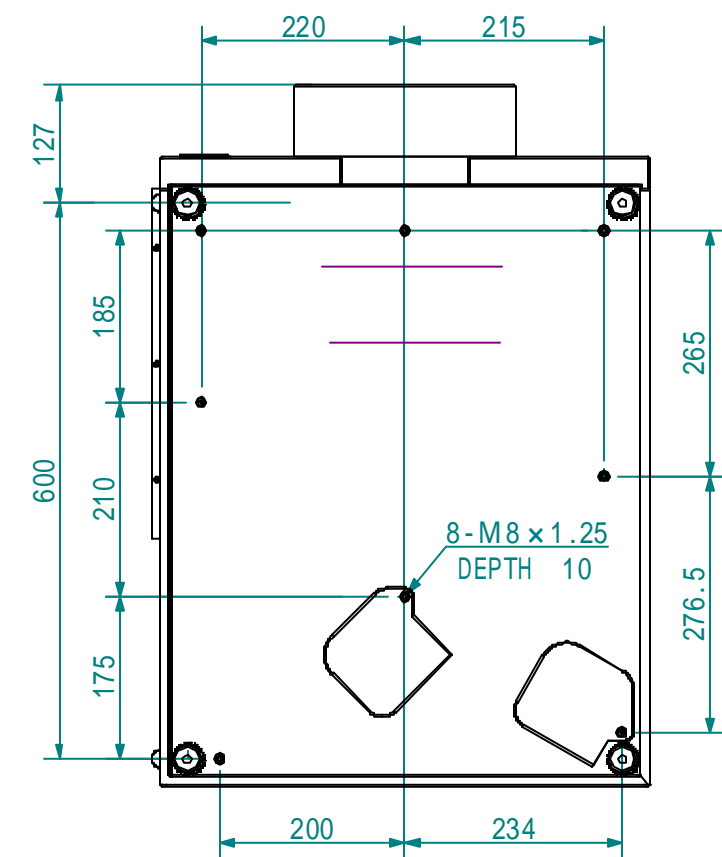
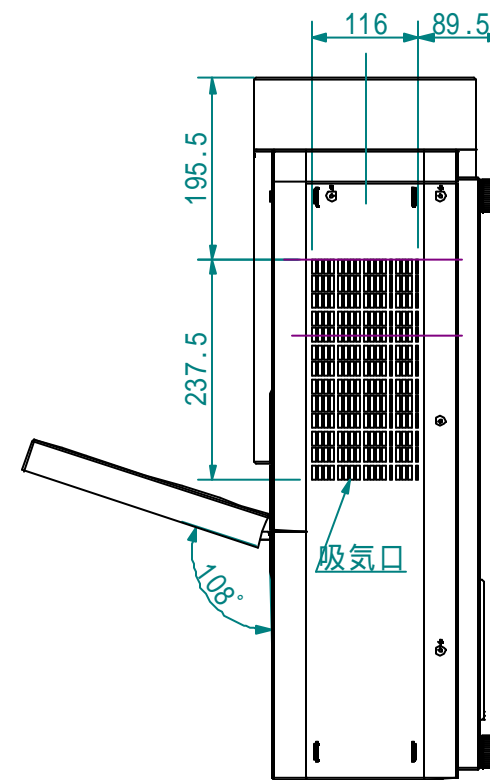
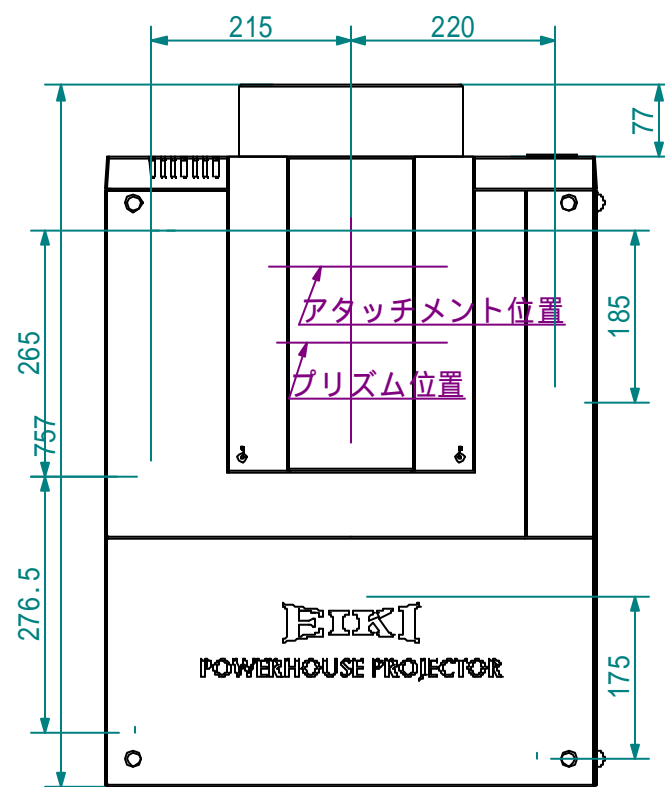
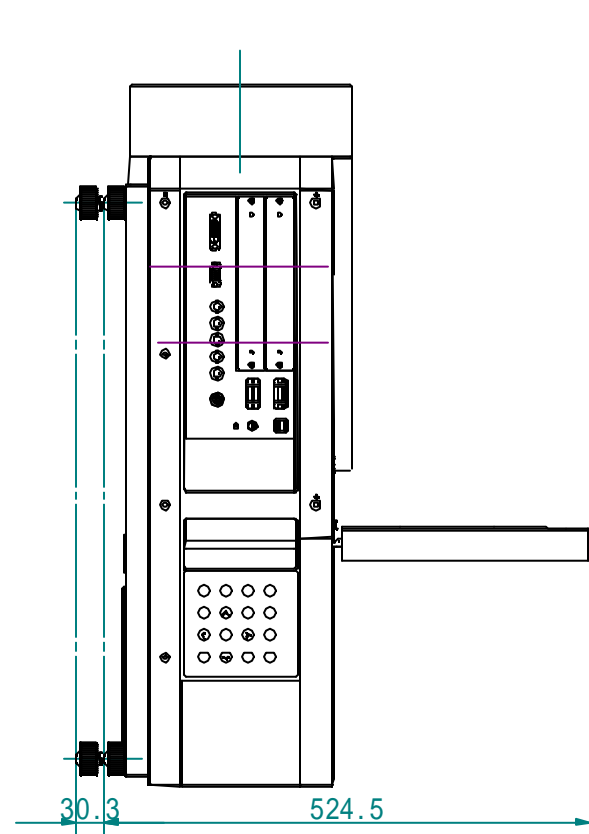
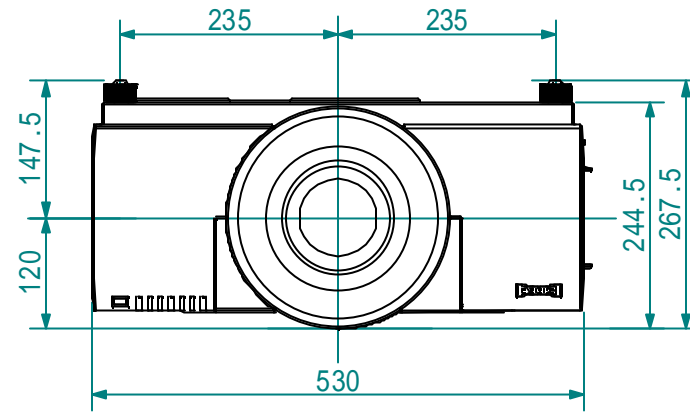


| | | | | |
|------|-----|-------|----|--|
| 処理加工 | | 図面訂正欄 | | |
| 符号 | 年月日 | 訂正要領 | 担当 | |
| | | | | |
| | | | | |



| | | | | | | | |
|-----------|----------|--------|----------------|---------|----------------|-------|---------------------|
| 映機工業株式会社 | | | APPROVE | CHECKED | DESIGNED | DRAWN | PART NAME/PART NAME |
| PLOT DATE | 07/10/15 | SCALE | 1/8 | | | | 外観図 |
| MATERIAL | UNIT | WEIGHT | PART CODE | | DRAWING NUMBER | | |
| | | 28Kg | LC-X7D/X8D/W5D | | | | |